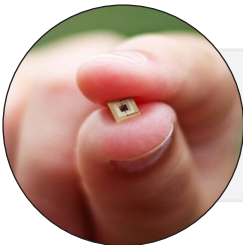




## First UV-C LED Point-of-Entry Residential System



- State of the art UV-C LEDs
- > 99.99% pathogen reduction
- No chemicals; mercury-free

- UV Intensity monitoring as standard
- Instant on/off for intermittent flows
- No hot water shot after no flow conditions



- Low cost of ownership
- Reduced energy consumption
- Dynamic Power Control

- 5 year lamp replacement interval
- Reduced mineral fouling
- No handling of fragile lamps and sleeves

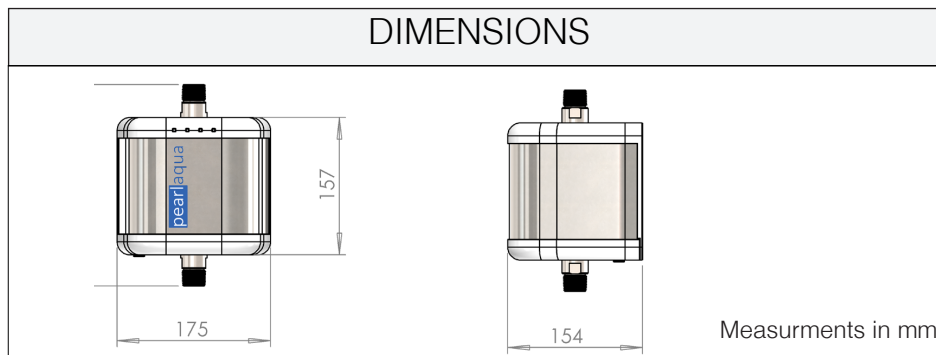


SPECIFICATIONS

Product Name		PearlAqua Deca	
Model Name		24C4	
UV Dose (mJ/cm <sup>2</sup> ) @ 98% UV-T	16	Max Flow [lpm (gpm)]	45 (12.0)
	30		25 (6.5)
	40		19 (5.0)
Headloss at Max Flow [bar (psi)]		0.3 (4.5)	
Inlet/Outlet Water Connection		3/4" MNPT	
Weight [kg (lbs)]		4.2 (9.3)	
Max Operating Pressure [bar (psi)]		8.3 (120)	
Environmental Protection		IP65	
Lamp Replacement Interval		60 months @ 2.5 hours/day [5,000 hours]	
Max Ambient Temp [°C (°F)]		45 (113)	
Water Temperature [°C (°F)]		0-30 (32-86)	
Input Voltage [V DC]		24 [110/240 AC power supply included]	
Input Power [flow variable] [W]		180 (max)	

Specifications provided as a guide. Specifications subject to change  
Unit designed to be used on domestic cold water supply only

DIMENSIONS



Full in-house optical, electrical, and mechanical design capabilities.  
ISO 9001:2015 certified manufacturing facility located in Kentucky, USA.



www.aquisense.com



+1 859 869 4700

4400 Olympic Blvd Erlanger, KY 41018 USA